

# DATASHEET

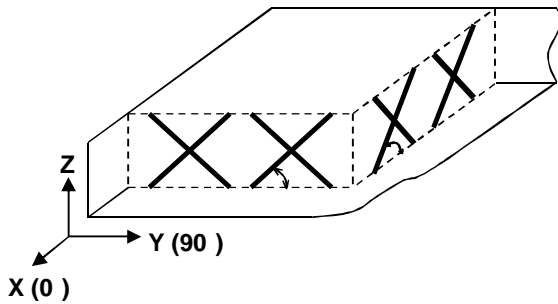
(acc. to EN 13473-1)

STYLE NO.

**FOPU4010-01200-01200-510010**

DESCRIPTION OF STYLE

**SAERfoam PU10 O10-30 - F2829**



<i>FOAM specifications</i>	
Length:	1200 mm +/- 2,5 mm
Width:	1200 mm +/- 2,5 mm
Thickness:	10 mm +/- 0,5 mm

Construction		Areal weight g/m <sup>2</sup>	Tolerance %	Bridges angle / (X-Y)	Bridges / cm <sup>2</sup>	Material
<i>upper side</i>						
<b>SAER foam</b>	Reinforcement 0°	150	10	+/-45°	0,50	E-Glass
	Reinforcement 90°	150	10	+/-45°	0,50	E-Glass
	Foam	400	6			PU 40 kg/m <sup>3</sup>
<i>lower side</i>						

<b>Total areal weight:</b>	<b>700 g/m<sup>2</sup></b>	<b>Total tolerance : +/- 7,7 %</b>
----------------------------	----------------------------	------------------------------------



Please contact the Sales department for more details on SAERfoam mechanical properties and approved materials.